

| ITEM | PART NO. | QTY | MODEL / DESCRIPTION                                      |
|------|----------|-----|--|
| ①    | (4484A)  | 1   | BN360-ECU-10 / ECU                                       |
| ②    | (5089)   | 1   | BN360-10H-01(DTM) / ECU HARNESS                          |
| ③    | (4698)   | 1   | BN360-VBV-L4015 / VIDEO OUTPUT CVBS                      |
| ④    | (5092)   | 1   | BN360-CP-02 / SWITCH                                     |
| ⑤    | (5098)   | 1   | BN360-CP CBL / SWITCH HARNESS                            |
| ⑥    | (4485)   | 4   | BN360-100C / CAMERA WITH MOUNT                           |
| ⑦    | (5090)   | 4   | BN360-100C-HI(BLK) / CAMERA HOUSING                      |
| ⑧    | (5094)   | 1   | BN360-100C-FIX(BLK) / FIXING KIT (NO CAMERA) (NOT SHOWN) |
| ⑨    | (5091)   | 1   | BN360-100C-MK(BLK) / RUBBER GASKET KIT (NOT SHOWN)       |
| ⑩    | (4574C)  | 1   | BN360-IG / USER GUIDE (NOT SHOWN)                        |

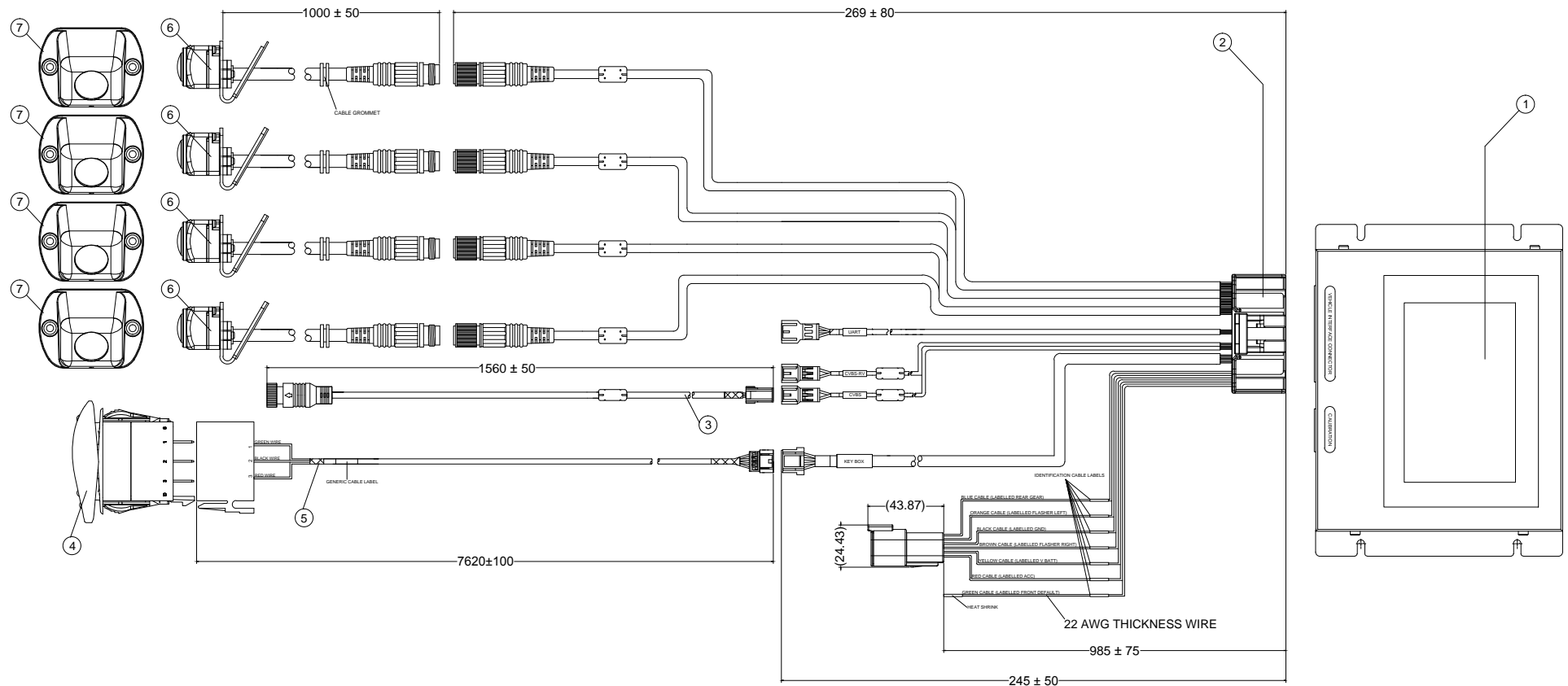
Revision Notes:

APA: \_\_\_\_\_ Drawn: \_\_\_\_\_ Checked: \_\_\_\_\_ Approved: \_\_\_\_\_ Date: \_\_\_\_\_

**CHANGES FROM BASE PRODUCT BN360-000 (4483B) TO BN360-001 (5093)**

- CHANGE:
1. SETUP AND VIEW SELECT BUTTON  
A/ BN360-CP-01 (4489) REMOVED  
B/ SWITCH HARNESS BN360-CP CBL (5098) ADDED  
C/ BN360-CP-02 (5092) SUPPLIED
  2. BN360-10H-01 (4486A) REPLACED BY BN360-10H-01(DTM) (5089)
  3. BN360-100C-HI (4488) REPLACED BY BN360-100C-HI(BLK) (5090)
  4. BN-360-100C-MK (4864) REPLACED BY BN-360-100C-MK(BLK) (5091)
  5. BN360-100C-FIX (4492) REPLACED BY BN-360-100C-FIX(BLK) (5094)

OPERATION: OPERATION AS BASE PRODUCT



- NOTES:
1. FOR COMPONENT DETAILS REFER TO COMPONENT DRAWINGS.
  2. FOR INSTALLATION AND SETUP REFER TO BN360 INSTALLATION MANUAL.
  3. FOR GIFTBOX LABEL REFER TO LATEST REVISION OF DRAWING BE-002640-XX-13.
  4. FOR GIFTBOX SERIAL NUMBER LABEL REFER TO LATEST REVISION OF DRAWING BE-002642-XX-13.

**PROPRIETARY NOTICE**  
THIS DESIGN AND TECHNICAL INFORMATION APPEARING ON THIS DRAWING IS THE PROPERTY OF BRIGADE ELECTRONICS, AND IS DISCLOSED IN CONFIDENCE. IT IS NOT TO BE COPIED, REPRODUCED, REVEALED TO OR EXPROPRIATED BY OTHERS, EITHER IN WHOLE OR IN PART WITHOUT THE EXPRESS WRITTEN CONSENT OF BRIGADE ELECTRONICS.

|   |                                    |                        |                      |                          |
|---|------------------------------------|------------------------|----------------------|--------------------------|
| Assembly Pl Approval<br>Y.J.LEE (05/05/16)    | Approved by<br>B.CHILDS            | Checked by<br>M.POTTER | Released<br>06/05/16 | Drawn by<br>D.RICHARDSON |
| Customer Approval<br>I.ABDALLA 06/05/16       | Angle of Projection<br>Third Angle | Units<br>mm            | Scale<br>N/A         | Assembly Ref<br>-        |
| <b>BRIGADE</b><br>www.brigade-electronics.com |                                    | Status<br>RELEASED     | BN360-001            |                          |
|   |                                    | Part No<br>5093        | BE-003358-00-16      |                          |